



2017 GDM 650 Top Drive 1200 HP – Complete



Total Oil Rig Leasing - Total Drilling Supply LLC - Houston/CT/Dubai/Singapore

Bob @ 832-563-0880 Commercial Pricing/Banking/Risk Ins-Procurement

Rob @ 832-754-8938 Rigs/ Inspection/ Mfg's / E&P Contractors

Eric @ 832-754-9432 Contracts/Dry Leases/NCNDA/FPA/IMFPA

Mike @ 713-570-6450 Rigs Data/Pricing/Locations/Sales & Marketing

Gary@713-906-0392 Components/Tooling/BOP/Rig Pkgs/Bidding

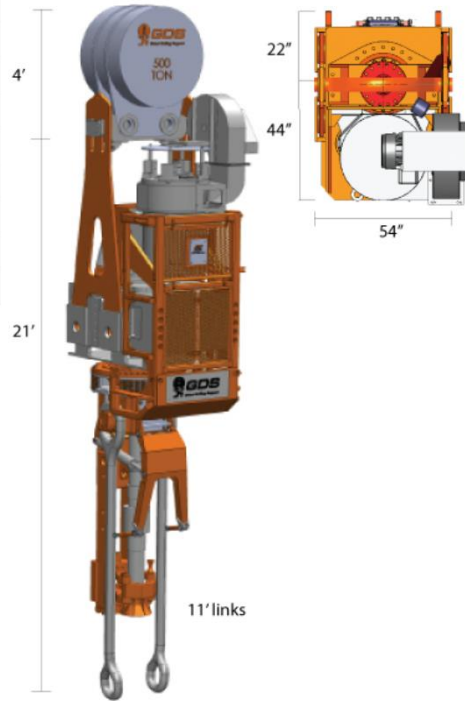
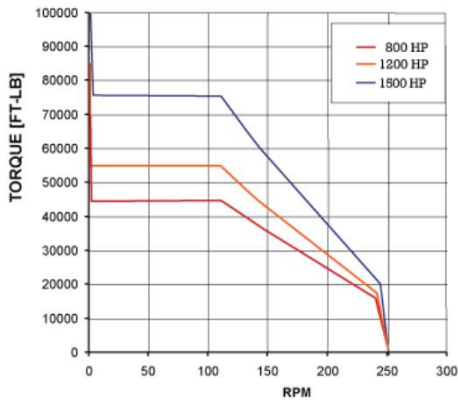
Deb-832-754-8856 Back Office-CFO Company Email: bob@2tds.com

Skype: totaldrillingsupply WhatsApp: 860-608-2327 WeChat: 832-563-0880

TOTAL

Oil Rig Leasing Ltd.

MODEL	800 HP	1200 HP	1500 HP
LOAD RATING	500 TON	650 TON	650 TON
BREAKOUT TORQUE	70,000	85,000	100,000
CONTINUOUS TORQUE	45,500	55,000	76,000
MAX SPEED (RPM)	250	250	250
MOTOR HORSEPOWER	800 HP	1200 HP	1500 HP
HOOK WEIGHT	33,000	38,000	38,000
MUD PATH	5000 PSI (OPTIONAL: 7500 PSI) STANDARD 3" (OPTIONAL: 4")		



Total Oil Rig Leasing - Total Drilling Supply LLC - Houston/CT/Dubai/Singapore

Bob @ 832-563-0880 Commercial Pricing/Banking/Risk Ins-Procurement

Rob @ 832-754-8938 Rigs/ Inspection/ Mfg's / E&P Contractors

Eric @ 832-754-9432 Contracts/Dry Leases/NCNDA/FPA/IMFPA

Mike @ 713-570-6450 Rigs Data/Pricing/Locations/Sales & Marketing

Gary@713-906-0392 Components/Tooling/BOP/Rig Pkgs/Bidding

Deb-832-754-8856 Back Office-CFO Company Email: bob@2tds.com

Skype: totaldrillingsupply WhatsApp: 860-608-2327 WeChat: 832-563-0880